

CHOKE COIL

LB/LDB/LE



FEATURES

- Miniature general type.
- Excellent filtering characteristics for differential mode.
- Compact size.

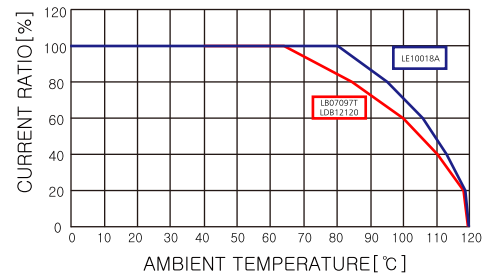
APPLICATIONS

- Digital equipments.
- For use in miniature equipments.
- Various types of electronics equipment.

SPECIFICATIONS

Model	Rated Voltage (AC,DC)	Rated Current(A)	Inductance (uH)	Operating Temperature(°C)	
LB07097T	250V	3A	97	-25 °C to +120 °C including temperature rise. (LB07097T, LH12110)	-40 °C to +120 °C including temperature rise. (LE10018A)
LDB12120	250V	5.5A	120		
LE10018A	250V	6A	18.3		

Derating Curve



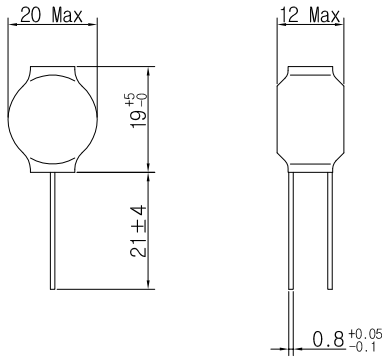
Note: Test Voltage : 2000V AC one minute, line to core.
 Insulation Resistance : 300 Mohm min. at 500V DC.
 Weight: LB07097T: 10g , LDB12120: 21.4g , LE10018A: 8g
 Voltage Drop : 1.0V max.

Model Number Construction

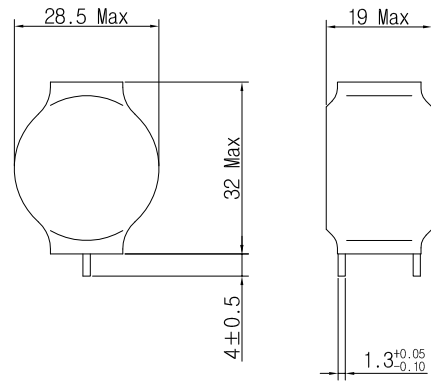
LB	07	097
Series Description	Dia. of Copper Wire 07 : @0.7mm 12 : @1.2mm 10 : @1.0mm	Rated Inductance :See Specifications Inductance

Shapes and Dimensions

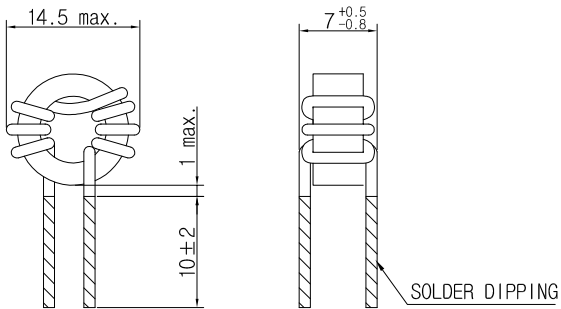
LB07097T



LDB12120



LE10018A



- * Unit : mm
- * General tolerance : ±0.5

●Circuit Diagram

