

승 인 원

(APPROVAL SHEET)

품 목	S.M.P.S
품 명	VSF30-DEW
Rev. No.	A

승 인 (APPROVED)	검 토
	Inspected by :
	심 사
	Checked by :
	승 인
	Approved by :
	날 짜
	Date :

상기와 같이 승인원을 제출하오니 검토하시어 승인하여 주시기 바랍니다.

2012 년 04 월 23 일



작 성 : 전 임 정영민

검 토 : 선 임 조흥래

승 인 : 상 무 장재하

[Handwritten signatures and initials]

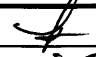
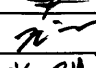
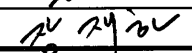
정영민
조흥래
장재하

CONTENTS

1. 승인원 변경이력	3
2. 전기적 특성	4 - 12
3. User's guide	13 - 16
4. Dimension	17 - 18
5. 용어정리	19 - 21

승인원 변경이력

Product.	S.M.P.S	Date.	2012. 4. 23
Model.	VSF30-DEW	Rev.	A
Customer.	Standard	Page.	1

DWG	전 임 정영민	
CHK	선 임 조흥래	
APPD	상 무 장재하	

No.	Date.	변경내용	변경사유	변경항목	Rev.
1	2012.04.23	- 승인원 신규발행	신규발행	전체(All Page)	A

SPECIFICATIONS

Product.	SMPS	Date.	2012.04.20
Model.	VSF30-BBW	Rev.	A
Customer.	STANDARD	Page.	1 / 8

MODEL/CHANNEL		Unit.	CH1	CH2
INPUT	Voltage , Frequency	[V]	AC100 - 240(AC85 - 264), 50/60Hz(47 - 440) or DC125-370V (Universal Input)	
	Current	110V [A]	0.65	
	Typ.	220V	0.35	
	Efficiency	220V [%]	60% (min)	
	Power factor	110V -	-	
	Typ.	220V	-	
	Inrush Current	110V [A]	20 (Ta=25°C , Cold Start)	
	Typ.	220V	40 (Ta=25°C , Cold Start)	
Leakage Current	110V [mA]	0.35		
	220V	0.75		
OUTPUT	Norminal Voltage	[V]	5	5
	Setting Voltage Range	[V]	4.95 ~ 5.05	4.75 ~ 5.25
	current	[A]	0.1 ~ 3.0	1.2
	Line Regulations	[mV]	25	50
	Load Regulations	[mV]	50	50
	Cross Regulations	[mV]	-	-
	Temperature Drift	[mV]	75	75
	Ripple Max.	[mV]	50	50
	Ripple & Noise Max.	[mV]	100	100
	Turn-on Time Typ.	[ms]	100 (AC IN 110V, Io=100%)	
Hold-up Time Typ.	[ms]	10 (AC IN 110V, Io=100%)		
Function	Over Voltage Protection	[V]	Works at 115 ~ 140% of rating	
	Over Current Protection	[A]	Works at over 110% of rating and recovers automatically	
	Remote ON.OFF	-	-	
	Remote Sensing	-	-	
	Power Fail Signal	-	-	
	Parallel/Series Operation	-	Series operation is passible	
	Cooling / O.T.P	-	Convection cooling	
Electrical Isolation	(1) Input - Output	-	AC 1.5KV 1min, cut-off: 10mA / DC 500V 100MΩ	
	(2) Input - F.G	-	AC 1.5KV 1min, cut-off: 10mA / DC 500V 100MΩ	
	(3) Output - F.G	-	AC 0.5KV 1min, cut-off:10mA / DC 500V 100MΩ	
Environment	Operating temp. & Humidity	-	- 10 ~ 50°C(Required Derating), 20 ~ 90% RH (Non Condensing)	
	Storage temp. & Humidity	-	- 20 ~ 75°C, 20 ~ 90% RH (Non Condensing)	
	Vibration	-	10~55Hz at 1G 3minutes period, 30minutes along X,Y and Z axis	
Dimension	Size(WxHxD) / Weight	mm / g	83 X 40 X 125	/ 400
Safety	Safety Regulation	-	Built to meet UL60950-1, EN60950-1	
	-	-	-	
Emission	Conducted Emission	-	Built to meet EN55022-A	

SPECIFICATIONS

Product.	SMPS	Date.	2012.04.23
Model.	VSF30-BCW	Rev.	A
Customer.	STANDARD	Page.	2 / 8

MODEL/CHANNEL		Unit.	CH1	CH2
INPUT	Voltage , Frequency	[V]	AC100 - 240(AC85 - 264), 50/60Hz(47 - 440) or DC125-370V (Universal Input)	
	Current	110V [A]	0.65	
	Typ.	220V	0.35	
	Efficiency	220V [%]	70% (min)	
	Power factor	110V -	-	
	Typ.	220V	-	
	Inrush Current	110V [A]	20 (Ta=25°C , Cold Start)	
Typ.	220V	40 (Ta=25°C , Cold Start)		
Leakage Current	110V [mA]	0.35		
Max.	220V	0.75		
OUTPUT	Norminal Voltage	[V]	5	9
	Setting Voltage Range	[V]	4.95 ~ 5.05	8.60 ~ 9.40
	current	[A]	0.3 ~ 3.0	1.6
	Line Regulations	[mV]	25	45
	Load Regulations	[mV]	50	90
	Cross Regulations	[mV]	-	-
	Temperature Drift	[mV]	75	135
	Ripple Max.	[mV]	50	90
	Ripple & Noise Max.	[mV]	100	140
	Turn-on Time Typ.	[ms]	100 (AC IN 110V, Io=100%)	
	Hold-up Time Typ.	[ms]	10 (AC IN 110V, Io=100%)	
Function	Over Voltage Protection	[V]	Works at 115 ~ 140% of rating	
	Over Current Protection	[A]	Works at over 110% of rating and recovers automatically	
	Remote ON.OFF	-	-	
	Remote Sensing	-	-	
	Power Fail Signal	-	-	
	Parallel/Series Operation	-	Series operation is passible	
	Cooling / O.T.P	-	Convection cooling	
Electrical Isolation	(1) Input - Output	-	AC 1.5KV 1min, cut-off: 10mA / DC 500V 100MΩ	
	(2) Input - F.G	-	AC 1.5KV 1min, cut-off: 10mA / DC 500V 100MΩ	
	(3) Output - F.G	-	AC 0.5KV 1min, cut-off:10mA / DC 500V 100MΩ	
Environment	Operating temp. & Humidity	-	- 10 ~ 50°C(Required Derating), 20 ~ 90% RH (Non Condensing)	
	Storage temp. & Humidity	-	- 20 ~ 75°C, 20 ~ 90% RH (Non Condensing)	
	Vibration	-	10-55Hz at 1G 3minutes period, 30minutes along X.Y and Z axis	
Dimension	Size(WxHxD) / Weight	mm / g	83 X 40 X 125	/ 400
Safety	Safety Regulation	-	Built to meet UL60950-1, EN60950-1	
	-	-	-	
Emission	Conducted Emission	-	Built to meet EN55022-A	

SPECIFICATIONS

Product.	SMPS	Date.	2012.04.23
Model.	VSF30-BDW	Rev.	A
Customer.	STANDARD	Page.	3 / 8

MODEL/CHANNEL		Unit.	CH1	CH2
INPUT	Voltage , Frequency	[V]	AC100 - 240(AC85 - 264), 50/60Hz(47 - 440) or DC125-370V (Universal Input)	
	Current	110V	0.65	
	Typ.	220V	0.35	
	Efficiency	220V	67% (min)	
	Power factor	110V	-	
	Typ.	220V	-	
	Inrush Current	110V	20 (Ta=25°C , Cold Start)	
	Typ.	220V	40 (Ta=25°C , Cold Start)	
	Leakage Current	110V	0.35	
	Max.	220V	0.75	
OUTPUT	Norminal Voltage	[V]	5	12
	Setting Voltage Range	[V]	4.95 ~ 5.05	11.40 ~ 12.60
	current	[A]	0.3 ~ 3.0	1.2
	Line Regulations	[mV]	25	60
	Load Regulations	[mV]	50	120
	Cross Regulations	[mV]	-	-
	Temperature Drift	[mV]	75	180
	Ripple Max.	[mV]	50	120
	Ripple & Noise Max.	[mV]	100	170
	Turn-on Time Typ.	[ms]	100 (AC IN 110V, Io=100%)	
Hold-up Time Typ.	[ms]	10 (AC IN 110V, Io=100%)		
Function	Over Voltage Protection	[V]	Works at 115 ~ 140% of rating	
	Over Current Protection	[A]	Works at over 110% of rating and recovers automatically	
	Remote ON.OFF	-	-	
	Remote Sensing	-	-	
	Power Fail Signal	-	-	
	Parallel/Series Operation	-	Series operation is passible	
	Cooling / O.T.P	-	Convection cooling	
Electrical Isolation	(1) Input - Output	-	AC 1.5KV 1min, cut-off: 10mA / DC 500V 100MΩ	
	(2) Input - F.G	-	AC 1.5KV 1min, cut-off: 10mA / DC 500V 100MΩ	
	(3) Output - F.G	-	AC 0.5KV 1min, cut-off:10mA / DC 500V 100MΩ	
Environment	Operating temp. & Humidity	-	- 10 ~ 50°C(Required Derating), 20 ~ 90% RH (Non Condensing)	
	Storage temp. & Humidity	-	- 20 ~ 75°C, 20 ~ 90% RH (Non Condensing)	
	Vibration	-	10~55Hz at 1G 3minutes period, 30minutes along X,Y and Z axis	
Dimension	Size(WxHxD) / Weight	mm / g	83 X 40 X 125	/ 400
Safety	Safety Regulation	-	Built to meet UL60950-1, EN60950-1	
	-	-	-	
Emission	Conducted Emission	-	Built to meet EN55022-A	

SPECIFICATIONS

Product.	SMPS	Date.	2012.04.23
Model.	VSF30-BHW	Rev.	A
Customer.	STANDARD	Page.	4 / 8

MODEL/CHANNEL		Unit.	CH1	CH2
INPUT	Voltage , Frequency	[V]	AC100 - 240(AC85 - 264), 50/60Hz(47 - 440) or DC125-370V (Universal Input)	
	Current	110V [A]	0.65	
	Typ.	220V	0.35	
	Efficiency	220V [%]	68% (min)	
	Power factor	110V -	-	
	Typ.	220V	-	
	Inrush Current	110V [A]	20 (Ta=25℃ , Cold Start)	
	Typ.	220V	40 (Ta=25℃ , Cold Start)	
Leakage Current	110V [mA]	0.35		
	Max. 220V	0.75		
OUTPUT	Norminal Voltage	[V]	5	24
	Setting Voltage Range	[V]	4.95 ~ 5.05	22.8 ~ 25.2
	current	[A]	0.3 ~ 3.0	0.6
	Line Regulations	[mV]	25	120
	Load Regulations	[mV]	50	240
	Cross Regulations	[mV]	-	-
	Temperature Drift	[mV]	75	360
	Ripple Max.	[mV]	50	240
	Ripple & Noise Max.	[mV]	100	290
	Turn-on Time Typ.	[ms]	100 (AC IN 110V, Io=100%)	
	Hold-up Time Typ.	[ms]	10 (AC IN 110V, Io=100%)	
Function	Over Voltage Protection	[V]	Works at 115 ~ 140% of rating	
	Over Current Protection	[A]	Works at over 110% of rating and recovers automatically	
	Remote ON.OFF	-	-	
	Remote Sensing	-	-	
	Power Fail Signal	-	-	
	Parallel/Series Operation	-	Series operation is passible	
	Cooling / O.T.P	-	Convection cooling	
Electrical Isolation	(1) Input - Output	-	AC 1.5KV 1min, cut-off: 10mA / DC 500V 100MΩ	
	(2) Input - F.G	-	AC 1.5KV 1min, cut-off: 10mA / DC 500V 100MΩ	
	(3) Output - F.G	-	AC 0.5KV 1min, cut-off:10mA / DC 500V 100MΩ	
Environment	Operating temp. & Humidity	-	- 10 ~ 50℃(Required Derating), 20 ~ 90% RH (Non Condensing)	
	Storage temp. & Humidity	-	- 20 ~ 75℃, 20 ~ 90% RH (Non Condensing)	
	Vibration	-	10~55Hz at 1G 3minutes period, 30minutes along X,Y and Z axis	
Dimension	Size(WxHxD) / Weight	mm / g	83 X 40 X 125	/ 400
Safety	Safety Regulation	-	Built to meet UL60950-1, EN60950-1	
	-	-	-	
Emission	Conducted Emission	-	Built to meet EN55022-A	

SPECIFICATIONS

Product.	SMPS	Date.	2012.04.23
Model.	VSF30-DDW	Rev.	A
Customer.	STANDARD	Page.	5 / 8

MODEL/CHANNEL		Unit.	CH1	CH2
INPUT	Voltage , Frequency	[V]	AC100 - 240(AC85 - 264), 50/60Hz(47 - 440) or DC125-370V (Universal Input)	
	Current	110V [A]	0.65	
	Typ.	220V	0.35	
	Efficiency	220V [%]	70% (min)	
	Power factor	110V -	-	
	Typ.	220V	-	
	Inrush Current	110V [A]	20 (Ta=25°C , Cold Start)	
	Typ.	220V	40 (Ta=25°C , Cold Start)	
Leakage Current	110V [mA]	0.35		
	220V Max.	0.75		
OUTPUT	Norminal Voltage	[V]	12	12
	Setting Voltage Range	[V]	11.88 ~ 12.12	11.40 ~ 12.60
	current	[A]	0.12 ~ 1.2	1.2
	Line Regulations	[mV]	60	60
	Load Regulations	[mV]	120	120
	Cross Regulations	[mV]	-	-
	Temperature Drift	[mV]	180	180
	Ripple Max.	[mV]	120	120
	Ripple & Noise Max.	[mV]	170	170
	Turn-on Time Typ.	[ms]	100 (AC IN 110V, Io=100%)	
Hold-up Time Typ.	[ms]	10 (AC IN 110V, Io=100%)		
Function	Over Voltage Protection	[V]	Works at 115 ~ 140% of rating	
	Over Current Protection	[A]	Works at over 110% of rating and recovers automatically	
	Remote ON.OFF	-	-	
	Remote Sensing	-	-	
	Power Fail Signal	-	-	
	Parallel/Series Operation	-	Series operation is passible	
	Cooling / O.T.P	-	Convection cooling	
Electrical Isolation	(1) Input - Output	-	AC 1.5KV 1min, cut-off: 10mA / DC 500V 100MS ²	
	(2) Input - F.G	-	AC 1.5KV 1min, cut-off: 10mA / DC 500V 100MS ²	
	(3) Output - F.G	-	AC 0.5KV 1min, cut-off:10mA / DC 500V 100MS ²	
Environment	Operating temp. & Humidity	-	- 10 ~ 50°C(Required Derating), 20 ~ 90% RH (Non Condensing)	
	Storage temp. & Humidity	-	- 20 ~ 75°C, 20 ~ 90% RH (Non Condensing)	
	Vibration	-	10~55Hz at 1G 3minutes period, 30minutes along X.Y and Z axis	
Dimension	Size(WxHxD) / Weight	mm / g	83 X 40 X 125	/ 400
Safety	Safety Regulation	-	Built to meet UL60950-1, EN60950-1	
	-	-	-	
Emission	Conducted Emission	-	Built to meet EN55022-A	

SPECIFICATIONS

Product.	SMPS	Date.	2012.04.20
Model.	VSF30-EEW	Rev.	A
Customer.	STANDARD	Page.	6 / 8

MODEL/CHANNEL		Unit.	CH1	CH2
INPUT	Voltage , Frequency	[V]	AC100 - 240(AC85 - 264), 50/60Hz(47 - 440) or DC125-370V (Universal Input)	
	Current	110V [A]	0.65	
	Typ.	220V	0.35	
	Efficiency	220V [%]	70% (min)	
	Power factor	110V -	-	
	Typ.	220V	-	
	Inrush Current	110V [A]	20 (Ta=25°C , Cold Start)	
	Typ.	220V	40 (Ta=25°C , Cold Start)	
	Leakage Current	110V [mA]	0.35	
Max.	220V	0.75		
OUTPUT	Norminal Voltage	[V]	15	15
	Setting Voltage Range	[V]	14.85 ~ 15.15	14.25 ~ 15.75
	current	[A]	0.1 ~ 1.0	1.0
	Line Regulations	[mV]	75	75
	Load Regulations	[mV]	150	150
	Cross Regulations	[mV]	-	-
	Temperature Drift	[mV]	225	225
	Ripple Max.	[mV]	150	150
	Ripple & Noise Max.	[mV]	200	200
	Turn-on Time Typ.	[ms]	100 (AC IN 110V, Io=100%)	
Hold-up Time Typ.	[ms]	10 (AC IN 110V, Io=100%)		
Function	Over Voltage Protection	[V]	Works at 115 ~ 140% of rating	
	Over Current Protection	[A]	Works at over 110% of rating and recovers automatically	
	Remote ON.OFF	-	-	
	Remote Sensing	-	-	
	Power Fail Signal	-	-	
	Parallel/Series Operation	-	Series operation is passible	
Cooling / O.T.P	-	Convection cooling		
Electrical Isolation	(1) Input - Output	-	AC 1.5KV 1min, cut-off: 10mA / DC 500V 100MΩ	
	(2) Input - F.G	-	AC 1.5KV 1min, cut-off: 10mA / DC 500V 100MΩ	
	(3) Output - F.G	-	AC 0.5KV 1min, cut-off:10mA / DC 500V 100MΩ	
Environment	Operating temp. & Humidity	-	- 10 ~ 50°C(Required Derating), 20 ~ 90% RH (Non Condensing)	
	Storage temp. & Humidity	-	- 20 ~ 75°C, 20 ~ 90% RH (Non Condensing)	
	Vibration	-	10~55Hz at 1G 3minutes period, 30minutes along X,Y and Z axis	
Dimension	Size(WxHxD) / Weight	mm / g	83 X 40 X 125	/ 400
Safety	Safety Regulation	-	Built to meet UL60950-1, EN60950-1	
	-	-	-	
Emission	Conducted Emission	-	Built to meet EN55022-A	

SPECIFICATIONS

Product.	SMPS	Date.	2012.04.23
Model.	VSF30-BDB	Rev.	A
Customer.	STANDARD	Page.	6 / 8

	MODEL/CHANNEL	Unit.	CH1	CH2	CH3
INPUT	Voltage , Frequency	[V]	AC100 - 240(AC85 - 264), 50/60Hz(47 - 440) or DC125-370V (Universal Input)		
	Current	110V [A]	0.65		
	Typ.	220V	0.35		
	Efficiency	220V [%]	66% (min)		
	Typ.				
	Power factor	110V -	-		
	Typ.	220V	-		
	Inrush Current	110V [A]	20 (Ta=25℃ , Cold Start)		
Typ.	220V	40 (Ta=25℃ , Cold Start)			
Leakage Current	110V [mA]	0.35			
	220V	0.75			
OUTPUT	Norminal Voltage	[V]	5	12	-5
	Setting Voltage Range	[V]	4.95 ~ 5.05	11.40 ~ 12.60	4.90 ~ 5.10
	current	[A]	0.3 ~ 3.0	1.0	0.3
	Line Regulations	[mV]	25	60	25
	Load Regulations	[mV]	50	120	50
	Cross Regulations	[mV]	-	-	-
	Temperature Drift	[mV]	75	180	75
	Ripple Max.	[mV]	50	120	50
	Ripple & Noise Max.	[mV]	100	170	100
	Turn-on Time Typ.	[ms]	100 (AC IN 110V, Io=100%)		
	Hold-up Time Typ.	[ms]	10 (AC IN 110V, Io=100%)		
Function	Over Voltage Protection	[V]	Works at 115 ~ 140% of rating		
	Over Current Protection	[A]	Works at over 110% of rating and recovers automatically		
	Remote ON.OFF	-	-		
	Remote Sensing	-	-		
	Power Fail Signal	-	-		
	Parallel/Series Operation	-	Series operation is passible		
Cooling / O.T.P	-	Convection cooling			
Electrical Isolation	(1) Input - Output	-	AC 1.5KV 1min, cut-off: 10mA / DC 500V 100MΩ		
	(2) Input - F.G	-	AC 1.5KV 1min, cut-off: 10mA / DC 500V 100MΩ		
	(3) Output - F.G	-	AC 0.5KV 1min, cut-off:10mA / DC 500V 100MΩ		
Environment	Operating temp. & Humidity	-	- 10 ~ 50℃ (Required Derating), 20 ~ 90% RH (Non Condensing)		
	Storage temp. & Humidity	-	- 20 ~ 75℃, 20 ~ 90% RH (Non Condensing)		
	Vibration	-	10~55Hz at 1G 3minutes period, 30minutes along X,Y and Z axis		
Dimension	Size(WxHxD) / Weight	mm / g	83 X 40 X 125	/	400
Safety	Safety Regulation	-	Built to meet UL60950-1, EN60950-1		
	-	-	-		
Emission	Conducted Emission	-	Built to meet EN55022-A		

SPECIFICATIONS

Product.	SMPS	Date.	2012.04.23
Model.	VSF30-DD	Rev.	A
Customer.	STANDARD	Page.	8 / 9

	MODEL/CHANNEL	Unit.	CH1	CH2	CH3
INPUT	Voltage , Frequency	[V]	AC100 - 240(AC85 - 264), 50/60Hz(47 - 440) or DC125-370V (Universal Input)		
	Current	110V [A]	0.65		
	Typ.	220V	0.35		
	Efficiency	220V [%]	66% (min)		
	Typ.				
	Power factor	110V -	-		
	Typ.	220V	-		
	Inrush Current	110V [A]	20 (Ta=25°C , Cold Start)		
Typ.	220V	40 (Ta=25°C , Cold Start)			
Leakage Current	110V [mA]	0.35			
	220V	0.75			
OUTPUT	Norminal Voltage	[V]	5	12	-12
	Setting Voltage Range	[V]	4.95 ~ 5.05	11.60 ~ 12.40	11.60 ~ 12.40
	current	[A]	0.3 ~ 3.0	1.2	0.3
	Line Regulations	[mV]	25	60	60
	Load Regulations	[mV]	50	120	120
	Cross Regulations	[mV]	-	-	-
	Temperature Drift	[mV]	75	180	180
	Ripple Max.	[mV]	50	120	120
	Ripple & Noise Max.	[mV]	100	170	170
	Turn-on Time Typ.	[ms]	100 (AC IN 110V, Io=100%)		
Hold-up Time Typ.	[ms]	10 (AC IN 110V, Io=100%)			
Function	Over Voltage Protection	[V]	Works at 115 ~ 140% of rating		
	Over Current Protection	[A]	Works at over 110% of rating and recovers automatically		
	Remote ON.OFF	-	-		
	Remote Sensing	-	-		
	Power Fail Signal**	-	-		
	Parallel/Series Operation	-	Series operation is passible		
Cooling / O.T.P	-	Convection cooling			
Electrical Isolation	(1) Input - Output	-	AC 1.5KV 1min, cut-off: 10mA / DC 500V 100MΩ		
	(2) Input - F.G	-	AC 1.5KV 1min, cut-off: 10mA / DC 500V 100MΩ		
	(3) Output - F.G	-	AC 0.5KV 1min, cut-off:10mA / DC 500V 100MΩ		
Environment	Operating temp. & Humidity	-	- 10 ~ 50°C(Required Derating), 20 ~ 90% RH (Non Condensing)		
	Storage temp. & Humidity	-	- 20 ~ 75°C, 20 ~ 90% RH (Non Condensing)		
	Vibration	-	10~55Hz at 1G 3minutes period, 30minutes along X,Y and Z axis		
Dimension	Size(WxHxD) / Weight	mm / g	83 X 40 X 125	/	400
Safety	Safety Regulation	-	Built to meet UL60950-1, EN60950-1		
	-	-	-		
Emission	Conducted Emission	-	Built to meet EN55022-A		

SPECIFICATIONS

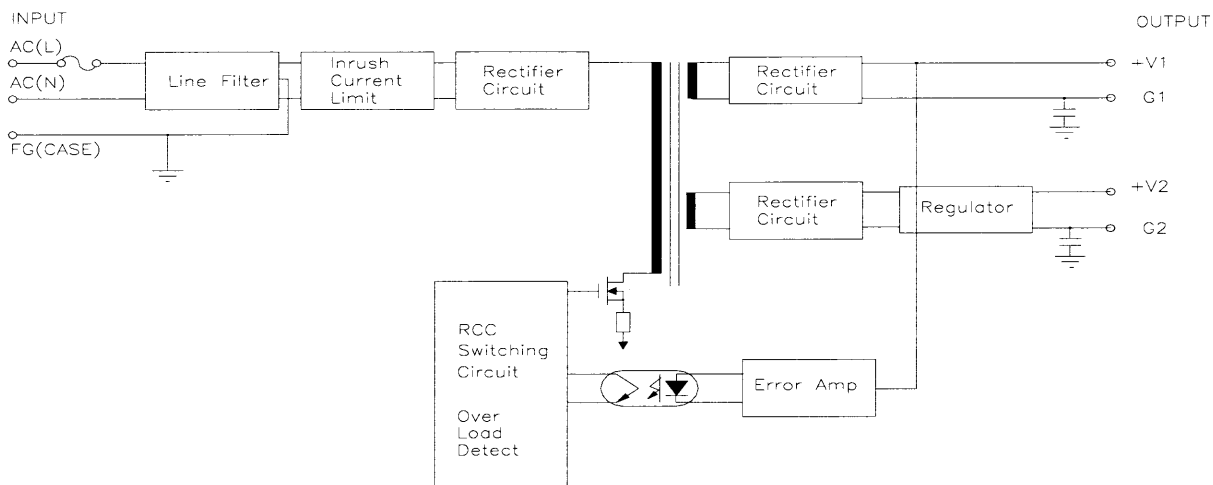
Product.	SMPS	Date.	2012.04.23
Model.	VSF30-EE	Rev.	A
Customer.	STANDARD	Page.	9 / 9

	MODEL/CHANNEL	Unit.	CH1	CH2	CH3
INPUT	Voltage , Frequency	[V]	AC100 - 240(AC85 - 264), 50/60Hz(47 - 440) or DC125-370V (Universal Input)		
	Current	110V [A]	0.65		
	Typ.	220V	0.35		
	Efficiency	220V [%]	66% (min)		
	Typ.				
	Power factor	110V -	-		
	Typ.	220V	-		
	Inrush Current	110V [A]	20 (Ta=25℃ , Cold Start)		
	Typ.	220V	40 (Ta=25℃ , Cold Start)		
	Leakage Current	110V [mA]	0.35		
	Max.	220V	0.75		
OUTPUT	Norminal Voltage	[V]	5	15	-15
	Setting Voltage Range	[V]	4.95 ~ 5.05	14.50 ~ 15.0	14.4 ~ 15.6
	current	[A]	0.3 ~ 3.0	0.8	0.2
	Line Regulations	[mV]	25	75	75
	Load Regulations	[mV]	50	150	150
	Cross Regulations	[mV]	-	-	-
	Temperature Drift	[mV]	75	225	225
	Ripple Max.	[mV]	50	150	150
	Ripple & Noise Max.	[mV]	100	200	200
Turn-on Time Typ.	[ms]	100 (AC IN 110V, Io=100%)			
Hold-up Time Typ.	[ms]	10 (AC IN 110V, Io=100%)			
Function	Over Voltage Protection	[V]	Works at 115 ~ 140% of rating		
	Over Current Protection	[A]	Works at over 110% of rating and recovers automatically		
	Remote ON.OFF	-	-		
	Remote Sensing	-	-		
	Power Fail Signal**	-	-		
	Parallel/Series Operation	-	Series operation is passible		
	Cooling / O.T.P	-	Convection cooling		
Electrical Isolation	(1) Input - Output	-	AC 1.5KV 1min, cut-off: 10mA / DC 500V 100MΩ		
	(2) Input - F.G	-	AC 1.5KV 1min, cut-off: 10mA / DC 500V 100MΩ		
	(3) Output - F.G	-	AC 0.5KV 1min, cut-off:10mA / DC 500V 100MΩ		
Environment	Operating temp. & Humidity	-	- 10 ~ 50℃(Required Derating), 20 ~ 90% RH (Non Condensing)		
	Storage temp. & Humidity	-	- 20 ~ 75℃, 20 ~ 90% RH (Non Condensing)		
	Vibration	-	10~55Hz at 1G 3minutes period, 30minutes along X,Y and Z axis		
Dimension	Size(WxHxD) / Weight	mm / g	83 X 40 X 125	/	400
Safety	Safety Regulation	-	Built to meet UL60950-1, EN60950-1		
	-	-	-		
Emission	Conducted Emission	-	Built to meet EN55022-A		

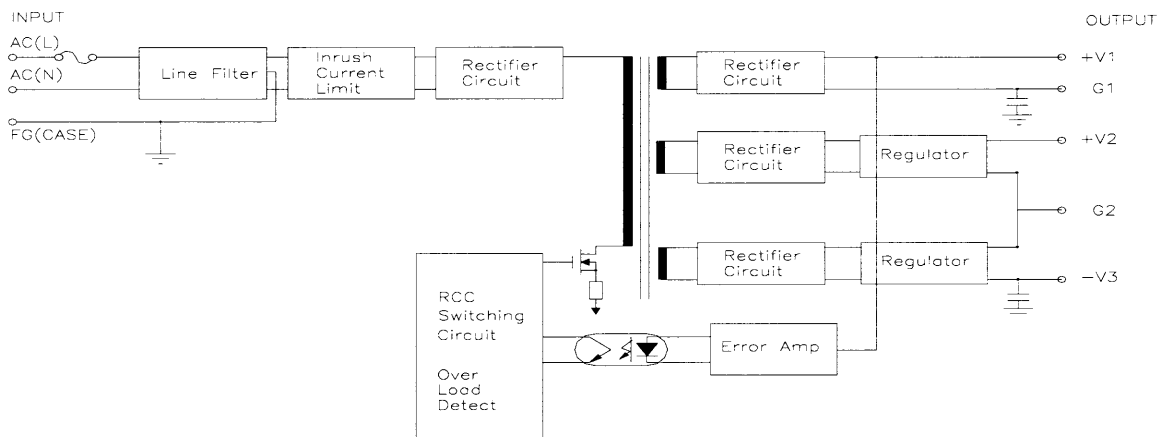
User's guide

1. Block Diagram

1-1. VSF30-DW Series



1-2. VSF30-DE Series



2. Terminal Connection

2-1. VSF30-DW Series

Mark	Pin Connection	Function
L	AC L상	SMPS AC입력 Terminal
N	AC N상	SMPS AC입력 Terminal (Fuse in Line)
+V1	DC Output	DC (+) 출력 Terminal
G1	GND	DC GND Terminal
+V2	DC Output	DC (+) 출력 Terminal
G2	GND	DC GND Terminal

User's guide

2-2. VSF30-DE Series

Mark	Pin Connection	Function
L	AC L상	SMPS AC입력 Terminal
N	AC N상	SMPS AC입력 Terminal (Fuse in Line)
+V1	DC Output	DC (+) 출력 Terminal
G1	GND	DC GND Terminal
+V2	DC Output	DC (+) 출력 Terminal
G2	GND	DC GND Terminal (+V2, -V3 Common GND)
-V3	DC Output	DC (-) 출력 Terminal

3. Function

3-1. 출력전압 조정범위(Adjustable output voltage range)

- 제품 내부의 가변저항을 이용하여 정격출력전압의 10%이내로 출력전압을 조절할 수 있습니다. 단, 조정범위를 넘어서는 경우 제품의 오동작 또는 과전압보호 기능이 동작할 수 있습니다.

3-2. 과전류 보호 (O.C.P : Over Current Protection)

- 응용시스템의 이상이나 외부결선의 단락등으로 인하여 출력전류가 최대치의 110% 이상일 때 SMPS의 보호를 위하여 과전류 보호회로가 동작하여 출력을 차단시킵니다.
- 과전류 보호 동작은 출력단의 short나 과전류 상태가 해제되면 자동으로 복구됩니다.

4. 직렬운전 / 병렬운전 (Series operation / Parallel operation)

4-1. 제품의 직렬운전시 아래의 그림과 같은 결선 방식으로 사용할 수 있으며, 병렬 운전은 사용할 수

4-2. 직렬 운전시 주의 사항

- 출력 전압이 같은 경우만 직렬 운전이 가능하며, 출력 전류가 다른 경우 두 개의 출력 전류 중 EX) 15V, 2A / 15V, 1A 직렬 운전시는 30V, 1A 이상을 초과하여 사용할 수 없습니다.
- 출력 전압이 다른 경우에는 직렬 연결하여 사용할 수 없습니다.

4-3. VSF30-BBW, DDW, EEW의 직렬 운전 (BCW, BDW, BHW 는 직렬 운전 불가)

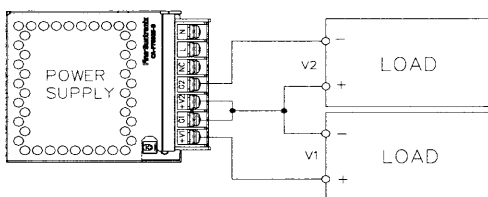


Fig 1. CH1-CH2 직렬운전 A

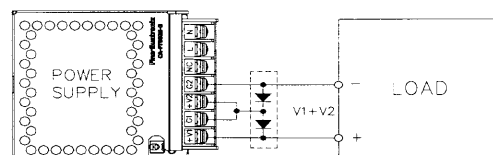


Fig 2. CH1-CH2 직렬운전 B

User's guide

4-4. VSF30-DD,EE의 직렬 운전 (BDB는 직렬 운전 불가)

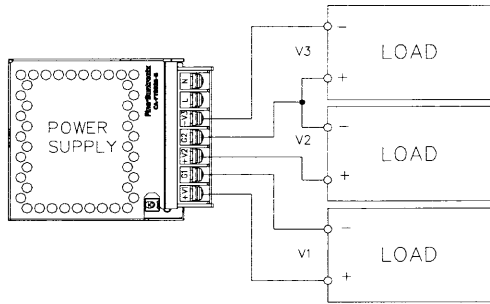


Fig 3. CH2-CH3 직렬운전 A

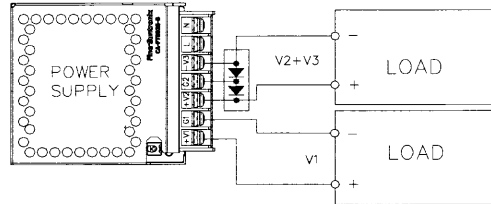
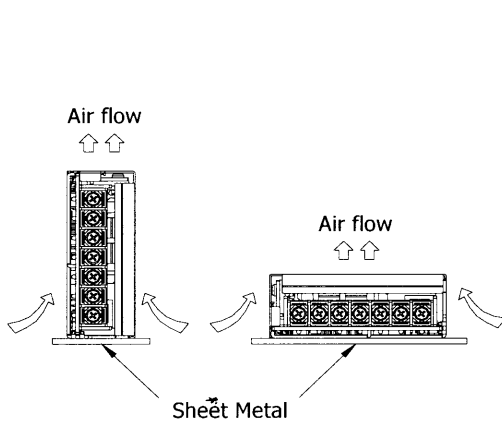


Fig 4. CH2-CH3 직렬운전 B

5. 실장방법 (Mounting method)

5-1. 본 제품은 자연냉각 방식의 제품으로 아래와 같이 방열실장을 하여 주시기 바랍니다.

- 통풍을 고려한 배치를 검토하여 주십시오.
- 여러대를 실장할 경우 제품간 간격을 띄어 주십시오.
- 강제 공냉을 시켜 주시면 방열효과는 더욱 좋아집니다.



(1) MOUNT A (2) MOUNT B

Fig 1. 기본 실장법

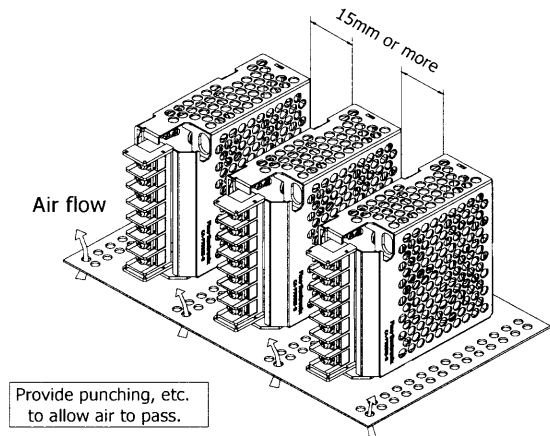


Fig 2. 응용 실장법

6. 사용시 주의사항

- 본 제품의 사용에 앞서 사용하고자 하는 용도에 맞는 용량의 제품임을 반드시 확인 바랍니다.
- 배선용 전선에는 종류에 따라 전압 및 전류의 허용치가 정해져 있으므로 본 제품과 연결할 때는 적절한 정격용량의 배선을 사용하시기 바랍니다.

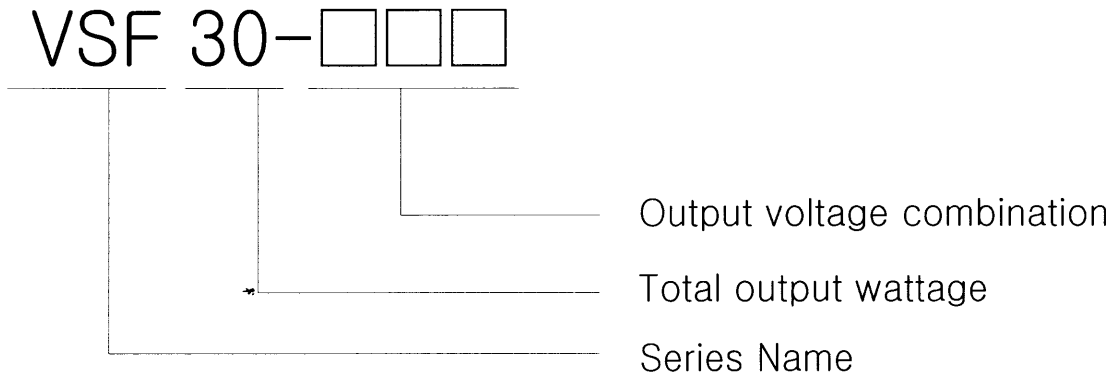
User's guide

- 본 제품의 내부나 입출력 단자 주위에 이물질이 들어가는 경우 부품의 파손 등 제품 고장의 원인이 되므로 주의 바랍니다.
- 안전과 제품의 신뢰성을 위하여 다음의 장소에서는 사용하지 마십시오.
 - 물기 및 화기가 달기 쉬운 장소
 - 통풍이 잘되지 않으며 주위온도가 높은 장소
 - 이물질 및 먼지가 많은 장소
 - 휘발성 및 인화성 물질이 있는 곳
 - 습기가 많은 장소
 - 진동 및 충격이 심한 장소

7. 품질보증

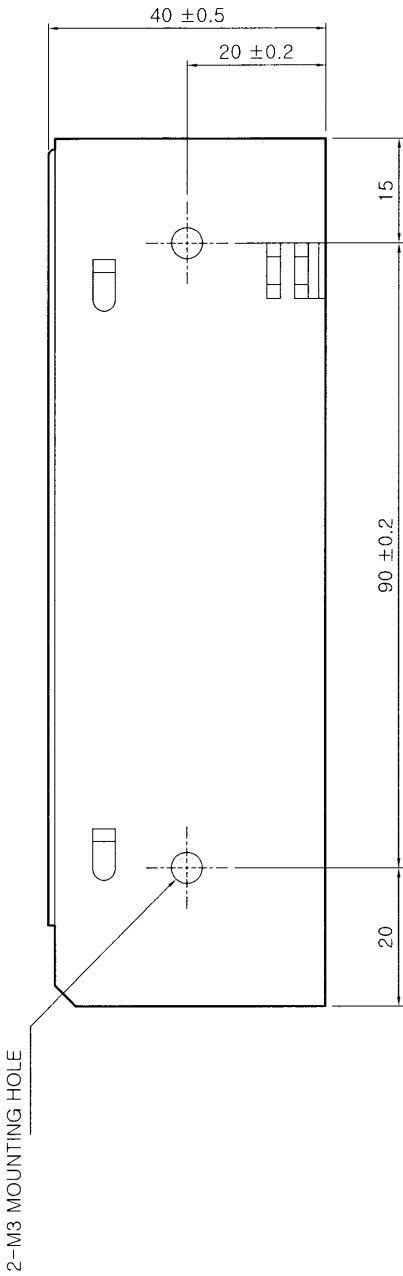
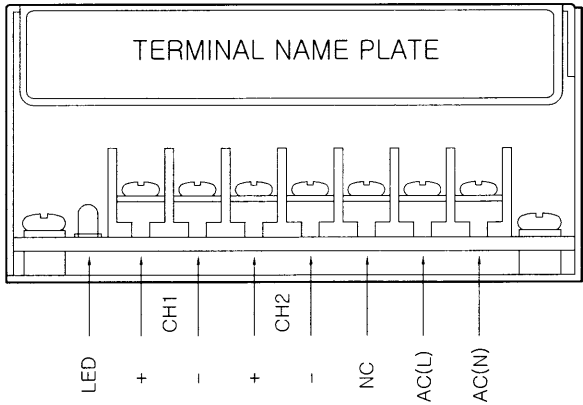
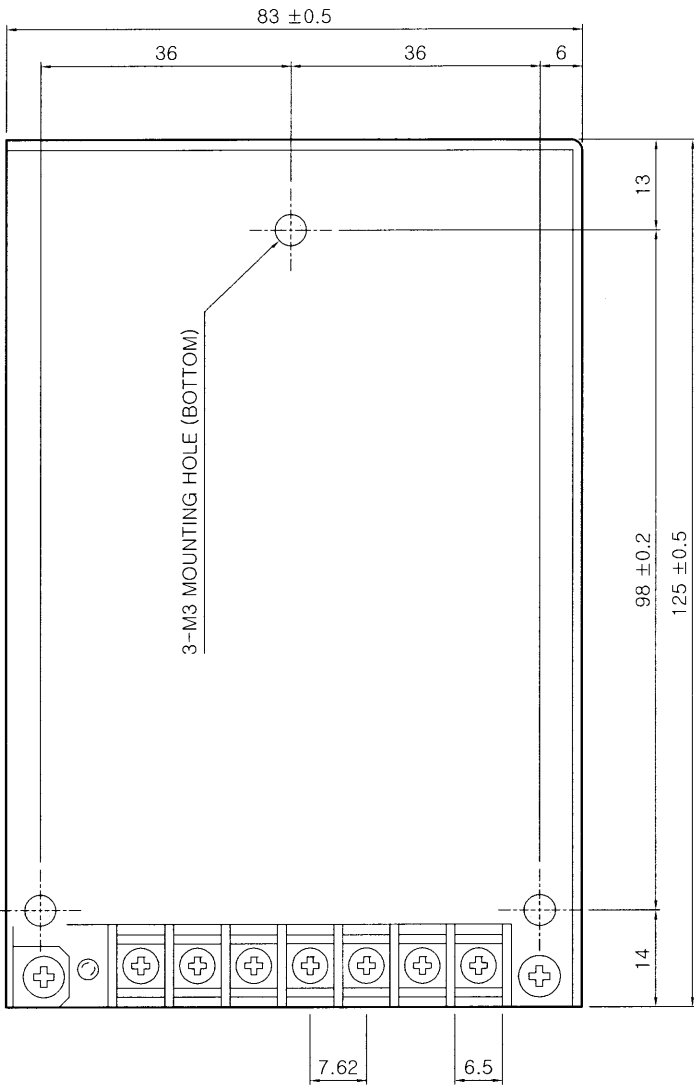
- 제품의 품질보증기간 내에 정상적인 사용으로 발생한, 성능, 기능상의 하자에 대해서는 무상으로 수리해 드립니다. 단, 소비자의 고의 또는 과실로 인한 경우는 유상으로 수리해 드립니다.
- 본 제품의 품질보증 기간은 2년이며, 제품의 품질을 높이기 위하여 외관 및 규격은 소비자에게 통보 없이 변경될 수 있습니다.

8. ORDERING INFORMATION



Dimension

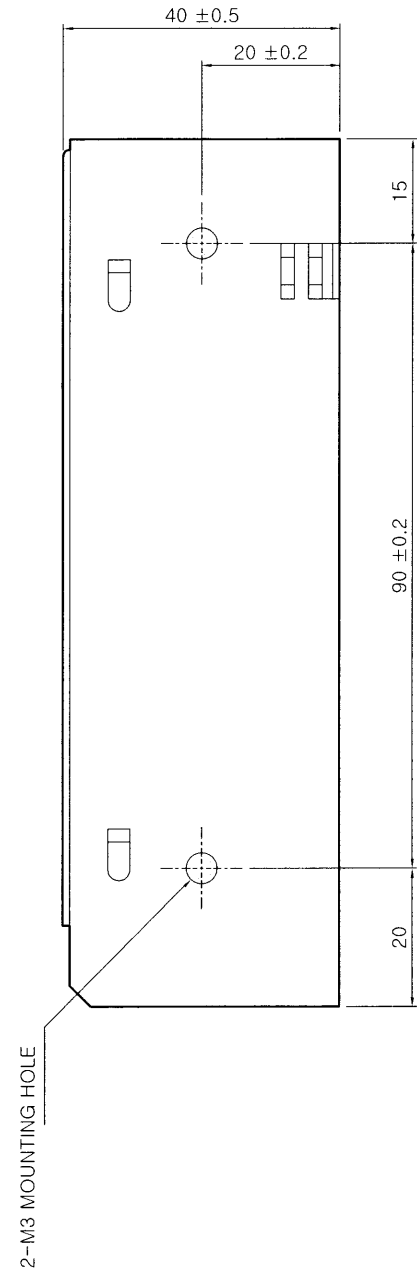
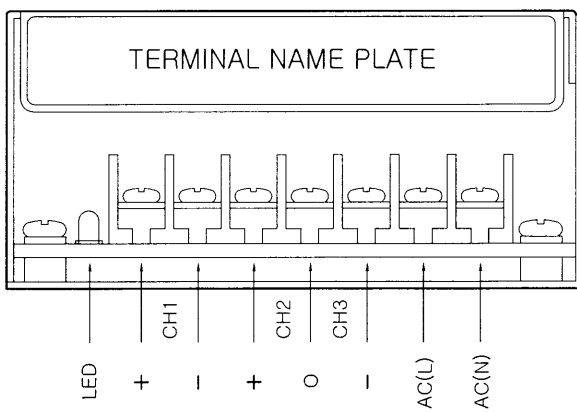
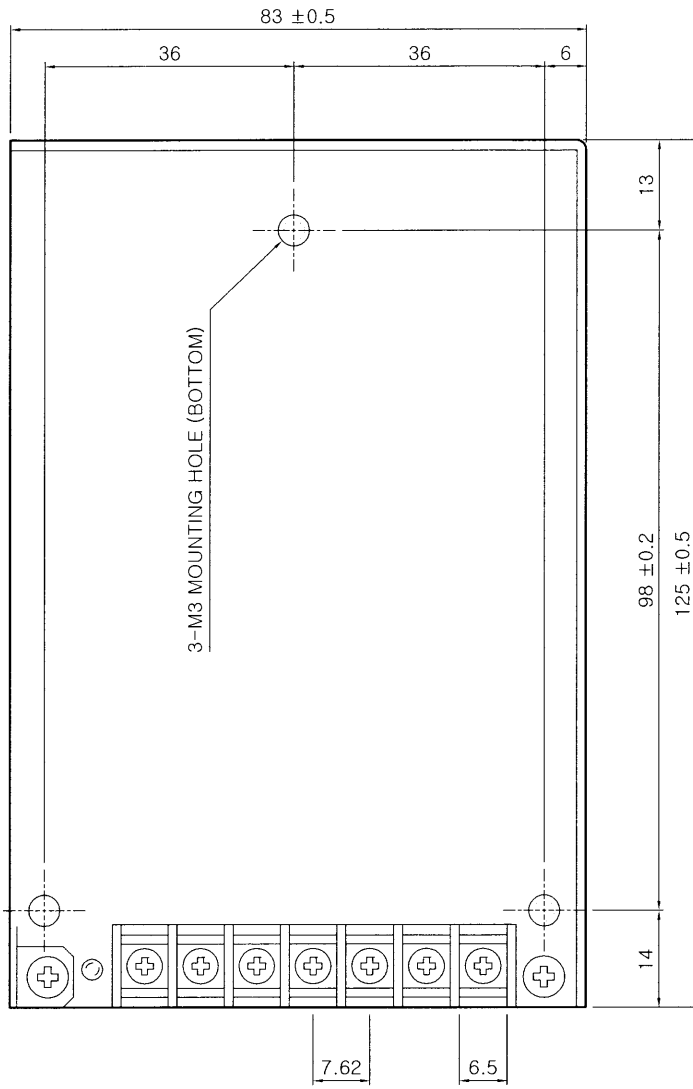
VSF30W Dual Output



- * Weight : 400g
- * Tolerance : ±1
- * Dimensions in mm

Dimension

VSF30W Triple Output



- * Weight : 400g
- * Tolerance : ±1
- * Dimensions in mm

용어 정리

□ INPUT (입력)

- o Input Voltage (입력전압) : 입력 AC(교류) 전압(110VAC, 220VAC 등) 또는 입력 DC(직류) 전압 (5VDC, 12VDC 등)
- o Input Current (입력전류) : 입력전압 인가시에 전원의 입력단으로 흐르는 전류입니다.
- o Input Wattage (입력전력) : SMPS에 공급되는 입력 유효 전력입니다.
- o Input Frequency (입력 주파수) : 입력 AC(교류)의 주파수 50Hz, 60Hz(국내는 60Hz)
- o Input Efficiency (효율) : 입력전력 대 출력전력의 비를 나타냅니다.
- o Inrush Current (돌입전류) : 입력전원을 투입하였을 때 순간적으로 흐르는 전류의 양입니다.
- o Leakage Current (누설전류) : 입력단의 1차측 부품이나 Capacitor등을 통하여 대지로 흐르는 전류입니다.
- o Power Factor (역률) : 일반적으로 역률은 전압과 전류의 위상차로 표시합니다. 전원의 경우는 입력전압과 전류의 상차는 없으므로 피상 전력과 유효 전력의 비율로 표시합니다.

□ OUTPUT (출력)

- o Output Voltage (출력전압) : 출력 DC(직류) 전압입니다.
- o Output Current (출력전류) : 출력 DC(직류) 전류입니다.
- o Output Wattage (출력전력) : SMPS가 공급하는 DC전력으로 (출력전압 X 출력전류)값입니다.
- o Line Regulation (입력전압 변동률) : 입력전압(AC 또는 DC)을 최소전압에서 최대전압으로 전압변동 하였을 때 출력 DC(직류) 전압의 변화치를 나타냅니다.
- o Load Regulation (출력부하 변동률) : 출력전류를 min~100%로 전류변동 하였을 때 출력 DC(직류) 전압의 변화치를 나타냅니다.
- o Cross Regulation (상호부하 변동률) : 다출력의 SMPS에서 출력전류를 min~100%로 상호 전류변동 하였을 때 출력 DC(직류)전압의 변화치를 나타냅니다.
- o Temperature Drift (온도 경시변화) : SMPS 사용 주위온도를 변화하였을 때 출력DC(직류)전압의 변화치를 나타냅니다.
- o Ripple & Noise (출력잡음전압) : 출력DC(직류)전압에 포함된 불필요한 출력잡음전압을 나타냅니다.
- o Turn on Time (출력전압 상승시간) : 입력 전원을 투입하였을 때 출력 DC(직류)전압의 90%까지 도달하는 시간입니다.
- o Hold up Time (출력전압 유지시간) : 입력 전원을 차단하였을 때 출력 DC(직류)전압의 90%까지 유지하는 시간입니다.

용어 정리

□ FUNCTION (기능)

- Over Current Protection (OCP, 과전류 보호회로) : 출력전류가 정격전류이상으로 흐를때 SMPS에서 출력전류를 제한하여 SMPS와 연결된 전자기기를 보호하는 회로입니다.
- Over Voltage Protection (OVP, 과전압 보호회로) : SMPS가 이상동작하여 출력 DC(직류)전압이 급격히 상승하였을 때 연결된 전자기기의 파손을 방지하기 위하여 SMPS가 출력 DC(직류)전압을 자동 차단하는 기능입니다.
- Over Temperature Protection (OTP, 고온 보호회로) : 주위온도나 SMPS의 내부 온도가 비정상적으로 상승할 경우 출력을 차단합니다. 출력이 차단되면 전원을 끈 후에 충분한 냉각을 시킨 후 입력을 재투입하십시오.
- Remote ON/OFF (RC or CNT, 원격제어) : 외부에서 SMPS를 원격으로 ON/OFF 시키는 기능입니다. 제품의 사용 설명서를 참조하십시오.
- Remote Sensing (+S, -S, 원격감지) : SMPS와 부하의 거리가 먼 경우 부하단의 전압을 감지하여 출력전압을 보상해주는 기능입니다. 제품의 사용 설명서를 참조하십시오.
- Load Detect (LD, 출력부하검출) : 출력부하의 유,무를 검출하여 신호로 출력합니다. 제품의 사용 설명서를 참조하십시오.
- Adjustable Output Voltage (VR, 출력전압조정) : SMPS의 출력전압을 조정하기 위하여 출력단의 가변저항이나 TRM 단자를 이용하여 출력전압을 미세조정 할 수 있습니다. 제품의 사용 설명서를 참조하십시오.
- Power Fail Signal (P.F, 출력이상신호)
 - 1) 입력 P.F의 경우 : 입력전압범위가 정격이하일 경우 신호를 출력합니다.
 - 2) 출력 P.F의 경우 : SMPS의 출력이 정상 상태인지 비정상 상태인지를 신호로 출력합니다. 제품의 사용 설명서를 참조하십시오.
- Low Voltage alarm (LV alarm, 출력이상신호) : SMPS의 출력이 정상 전압보다 낮을 경우에 신호로 출력합니다. 제품의 사용 설명서를 참조하십시오.
- Power alarm (PR alarm, 출력이상신호) : SMPS의 AC입력전압, FAN 또는 기타 기능의 이상시 신호로 출력합니다. (P.F, LV alarm, FAN alarm 등)
- Parallel / Series Operation (병렬 / 직렬 운전) : SMPS를 직렬 또는 병렬로 운전하는 기능입니다. 제품에 따라 기능 지원 여부가 다르므로 구입 제품의 사용 설명서를 참조하십시오.
- Voltage Balance (VB, 출력전압평형) : 병렬운전 가능 제품에서 병렬 연결된 전원 장치의 출력 전압을 상호 평형이 되도록 합니다. 제품의 사용 설명서를 참조하십시오.
- Current Balance (CB, 출력전류평형) : 병렬운전 가능 제품에서 병렬 연결된 전원 장치의 출력 전류가 균등 분배 되도록 합니다. 제품의 사용 설명서를 참조하십시오.
- Frame Gnd(FG), AC Gnd(ACG) : Frame Ground, AC Ground
제품의 사용 설명서를 참조하십시오.

용어 정리

□ ELECTRICAL ISOLATION (전기적 절연)

- Electrically Isolated Input-Output (입력-출력 간 전기적 절연) : 입력 AC(교류) 전원단과 출력 DC(직류)전압단의 안전절연 내용입니다.
- Electrically Isolated Input-Case, FG (입력- 케이스, 대지접지 간 전기적 절연) : 입력 AC(교류) 전원단과 케이스, 대지접지간의 안전절연 내용입니다.
- Electrically Isolated Output-Case, FG (출력-케이스, 대지접지 간 전기적 절연) : 출력 DC(직류) 전압단과 케이스간의 안전절연 내용입니다.

□ ENVIRONMENT (주위환경)

- Operating Temp and Humidity (사용온도 & 습도) : SMPS를 사용할 수 있는 주위환경의 온도와 습도입니다.
- Storage Temp and Humidity (보관온도 & 습도) : SMPS를 보관, 운반 할 때의 주위환경의 온도와 습도입니다.
- Vibration (진동시험) : SMPS가 이상 없이 견딜 수 있는 진동시험에 관한 내용입니다.

□ ETC (기타)

- Safety (전기적 안전규격) : 각종 전기적 안전규격에 관한 내용입니다.
- Safety Regulation (안전규정) : 각 전기적 안전규정을 획득한 내용입니다.
- Line Conducted RF Voltage (전자파 장애규격) : 전자파 장애 규정에 관한 내용입니다.